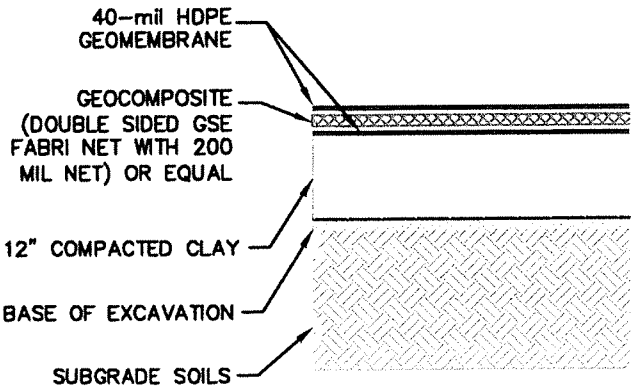
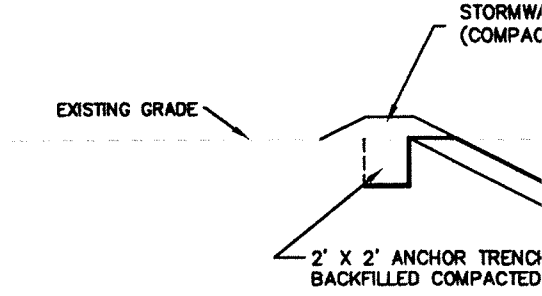
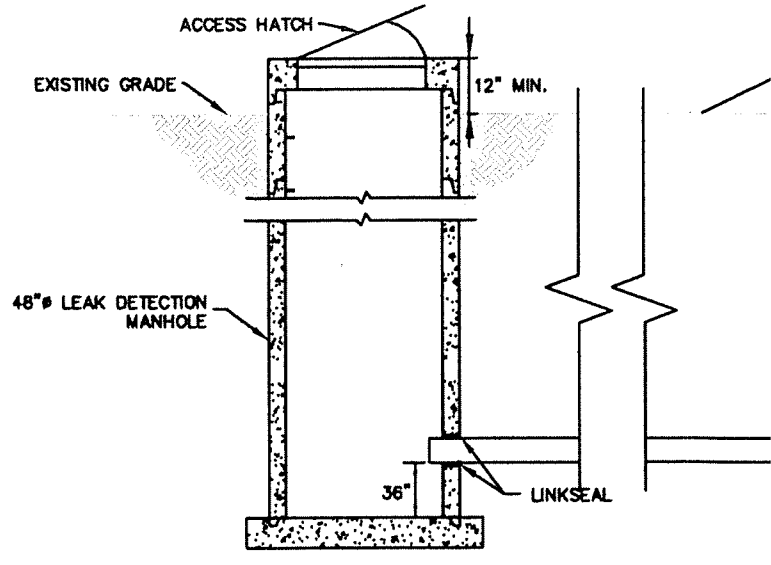


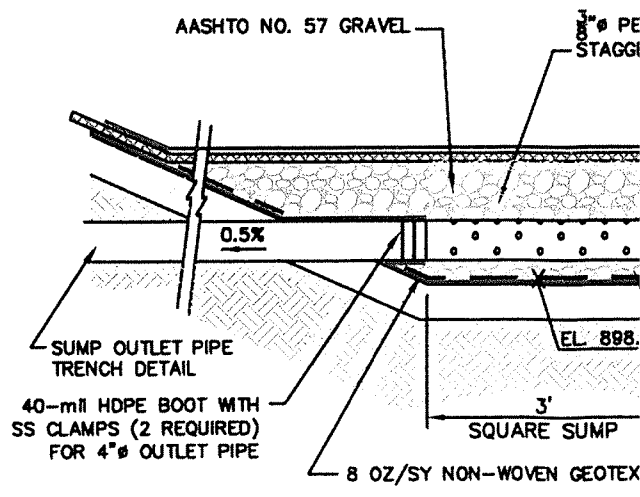
IMPOUNDMENT PLAN

SCALE: 1"=50'



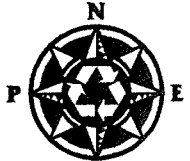
LINER SYSTEM DETAIL

NOT TO SCALE



LEAK DETECTION SUMP DETAIL

NOT TO SCALE



NORTH POINT ENGINEERING